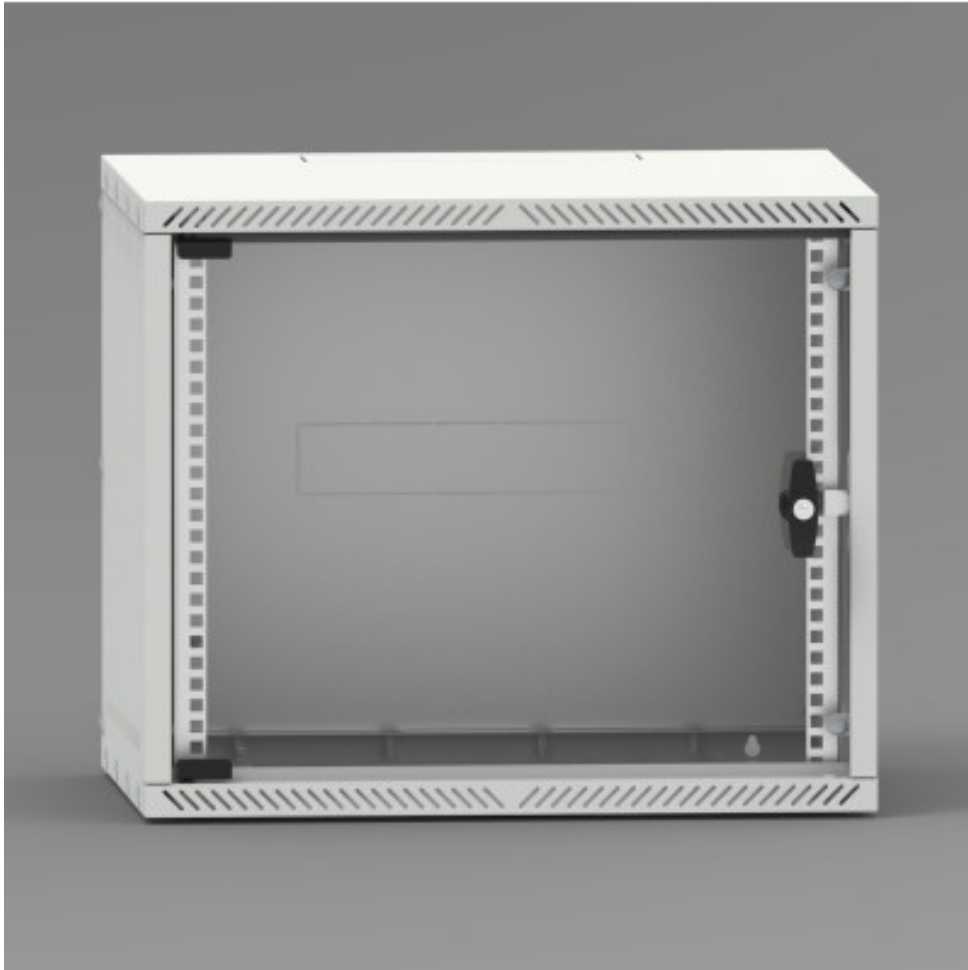




copy of spill retaining tub on feet, 400x1200x810

Kód: CI14650

EAN13: -



Product gallery:





Product short description:

400x1200x810 mm, volume 240 litres

Product description:

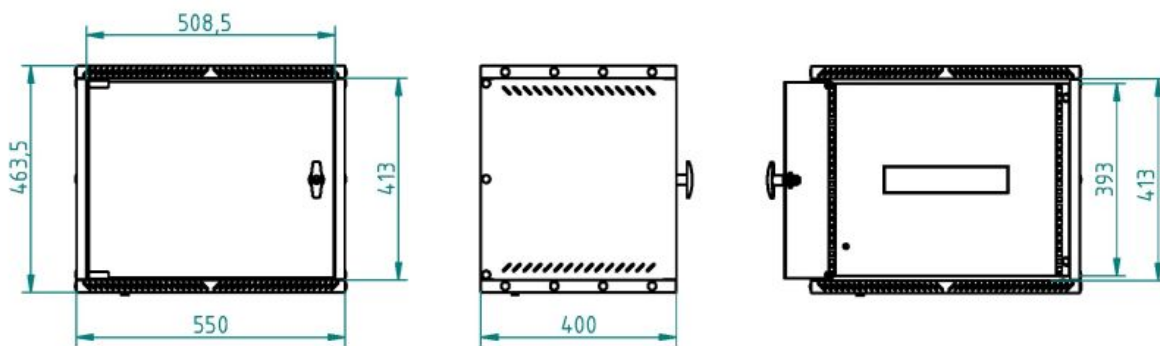
The spill retaining tub is welded from quality steel sheet with powdercoated finish, which increases resistance against very aggressive substances. Designed to retain spills of substances harming environment or water resources, two barrels of 200 litres can be placed on it. The maximum retained volume is 240 litres. Robust construction ensures the possibility of high load and at the same time easy handling with a forklift, as well as a long product life.



Product features:

height mm	
width mm	
depth mm	400 mm
weight kg	18 kg
barva	7035 RAL

Product attributes:



Product accessories: